

# 5MP HD Intelligent LightHunter IR VF Bullet Network Camera

IPC2325SB-DZK-I0



## Key Features



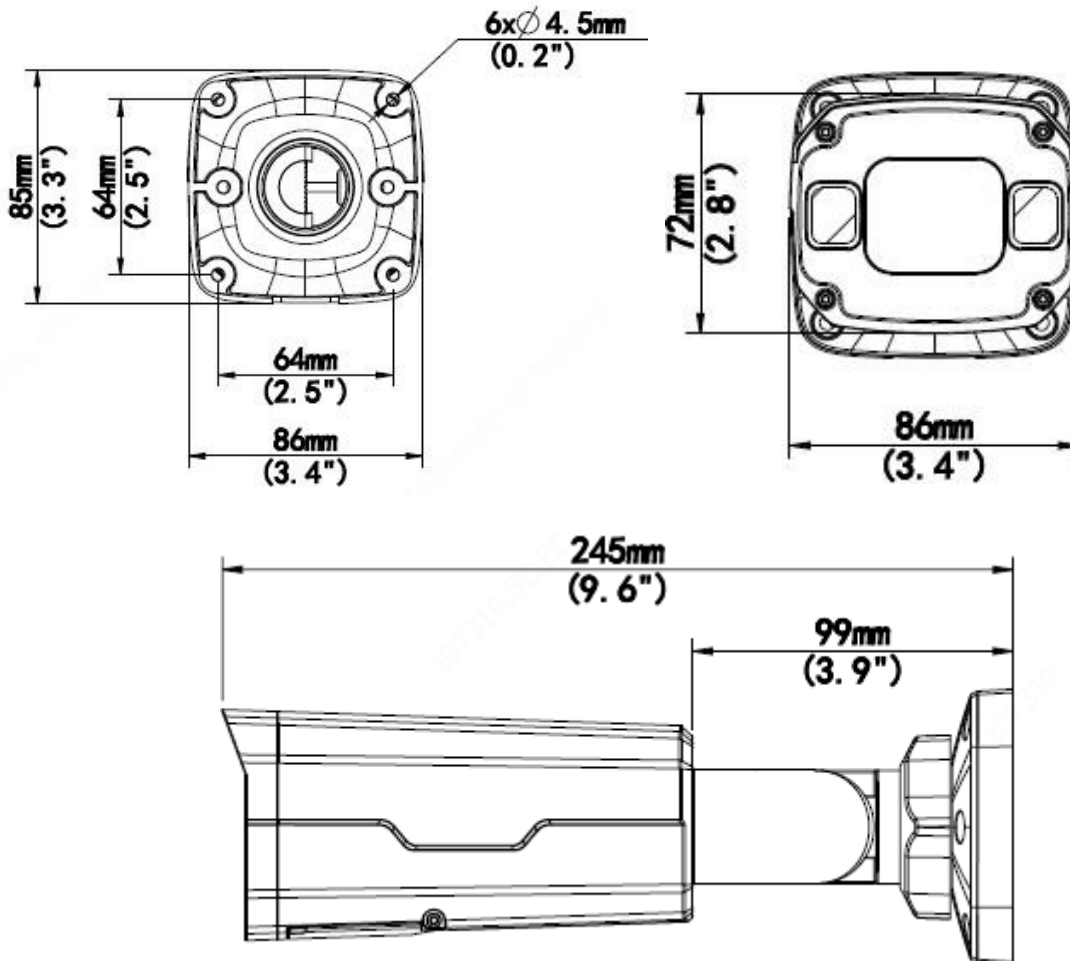
- High quality image with 5MP, 1/2.7"CMOS sensor
- 5MP (2880\*1620)@ 30/25fps; 4MP (2560\*1440)@ 30/25fps; 3MP (2304\*1296) @30/25fps; 2MP (1920\*1080) @30/25fps
- Ultra 265, H.265, H.264, MJPEG
- Smart intrusion prevention, include cross line, intrusion, enter area, leave area detection
- Based on target classification, smart intrusion prevention significantly reduce false alarm caused by leaves, birds and lights etc., accurately focus on human and, motor vehicle and non-motor vehicle
- Intelligent face capture
- LightHunter technology ensures ultra-high image quality in low illumination environment
- 120dB true WDR technology enables clear image in strong light scene
- Support 9:16 Corridor Mode
- Alarm:1 in/1 out, Audio: 1 in/1 out
- Smart IR, up to 60m (196ft) IR distance
- Supports 256 G Micro SD card
- IK10 vandal resistant
- IP67 protection
- Support PoE power supply

## Specifications

IPC23255B-DZK-I0																
<b>Camera</b>																
Sensor	1/2.7", 5.0 megapixel, progressive scan, CMOS															
Lens	2.7 ~ 13.5mm, AF automatic focusing and motorized zoom lens															
DORI Distance	<table border="1"> <thead> <tr> <th>Lens (mm)</th> <th>Detect (m)</th> <th>Observe (m)</th> <th>Recognize (m)</th> <th>Identify (m)</th> </tr> </thead> <tbody> <tr> <td>2.7</td> <td>60.8</td> <td>24.3</td> <td>12.2</td> <td>6.1</td> </tr> <tr> <td>13.5</td> <td>303.8</td> <td>121.5</td> <td>60.8</td> <td>30.4</td> </tr> </tbody> </table>	Lens (mm)	Detect (m)	Observe (m)	Recognize (m)	Identify (m)	2.7	60.8	24.3	12.2	6.1	13.5	303.8	121.5	60.8	30.4
	Lens (mm)	Detect (m)	Observe (m)	Recognize (m)	Identify (m)											
	2.7	60.8	24.3	12.2	6.1											
13.5	303.8	121.5	60.8	30.4												
Angle of View (H)	106.25°~ 30.42°															
Angle of View (V)	56.36°~ 17.22°															
Angle of View (O)	110.34°~34.18°															
Adjustment angle	<table border="1"> <thead> <tr> <th>Pan: 0° ~ 360°</th> <th>Tilt: 0° ~ 90°</th> <th>Rotate: 0° ~ 360°</th> </tr> </thead> <tbody> <tr> <td></td> <td></td> <td></td> </tr> </tbody> </table>	Pan: 0° ~ 360°	Tilt: 0° ~ 90°	Rotate: 0° ~ 360°												
Pan: 0° ~ 360°	Tilt: 0° ~ 90°	Rotate: 0° ~ 360°														
Shutter	Auto/Manual, 1/3 ~ 1/100000s															
Minimum Illumination	Colour: 0.002Lux (F1.2, AGC ON) 0Lux with IR on															
Day/Night	IR-cut filter with auto switch (ICR)															
Digital noise reduction	2D/3D DNR															
S/N	>56 dB															
IR Range	Up to 60m (196ft) IR range															
Wavelength	850nm															
IR On/Off Control	Auto/Manual															
Defog	Digital Defog															
WDR	120dB															
<b>Video</b>																
Video Compression	Ultra 265, H.265, H.264, MJPEG															
H.264 code profile	Baseline profile, Main profile, High profile															
Frame Rate	Main Stream: 5MP (2880*1620), Max 30fps; 4MP (2560*1440), Max 30fps; 3MP (2304*1296), Max 30fps; 1080P (1920*1080), Max 30fps; Sub Stream: 720P (1280*720), Max 30fps; D1 (720*576), Max 30fps; 640*360, Max 30fps; 2CIF(704*288), Max 30fps; CIF(352*288), Max 30fps; Third Stream: D1 (720*576), Max 30fps; 640*360, Max 30fps; 2CIF(704*288), Max 30fps; CIF(352*288), Max 30fps;															
Video Bit Rate	128 Kbps~16 Mbps															
OSD	Up to 8 OSDs															
Privacy Mask	Up to 4 areas															
ROI	Up to 8 areas															
Motion Detection	Up to 4 areas															
<b>Image</b>																
White Balance	Auto/Outdoor/Fine Tune/Sodium Lamp/Locked/Auto2															
Digital Noise Reduction	2D/3D DNR															
Smart IR	Supported															
Flip	Normal/Vertical/Horizontal/180°/90°Clockwise/90°Anti-clockwise															
Dewarping	N/A															
HLC	Supported															
BLC	Supported															

Audio	
Audio Compression	G.711
Two-way audio	Supported
Suppression	Supported
Sampling Rate	8KHZ
Storage	
Edge Storage	Micro SD, up to 256GB
Network Storage	ANR
Intelligent	
Smart intrusion Prevention	Cross line, intrusion, enter area, leave area detection, classification of vehicle and human
Face capture	Support
Events	
Basic Detection	Motion detection, tampering alarm, audio detection, Loitering, people gathering
General Function	Watermark, IP Address filtering, alarm input, alarm output, access policy, ARP protection, RTSP authentication, user authentication
Network	
Protocols	IPv4, IGMP, ICMP, ARP, TCP, UDP, DHCP, PPPoE, RTP, RTSP, RTCP, DNS, DDNS, NTP, FTP, UPnP, HTTP, HTTPS, SMTP, 802.1x, SNMP, QoS
Compatible Integration	ONVIF (Profile S, Profile G, Profile T), API
Client	EZStation EZView EZLive
Web Browser	Plug-in required live view: IE9+, Chrome 41 and below, Firefox 52 and below
	Plug-in free live view: Chrome 57.0+, Firefox 58.0+, Edge 16+, Safari 11+
Interface	
Audio I/O	Input: impedance 35kΩ; amplitude 2V [p-p]
	Output: impedance 600Ω; amplitude 2V [p-p]
Alarm I/O	1/1
Network	1 RJ45 10M/100M Base-TX Ethernet
Certifications	
Certifications	CE: EN 60950-1 UL: UL60950-1 FCC: FCC Part 15
General	
Power	DC 12V±25%, PoE (IEEE 802.3af)
	Power consumption: Max 8.0 W
Dimensions (L × W × H)	245 × 86 × 72mm (9.6" × 3.4" × 2.8")
Net Weight	0.92kg (2.0lb)
Material	Metal
Working Environment	-30°C ~ 60°C (-22°F ~ 140°F), Humidity: ≤95% RH (non-condensing)
Storage Environment	-30°C ~ 60°C (-22°F ~ 140°F), Humidity: ≤95% RH (non-condensing)
Surge Protection	6KV
Ingress Protection	IP67
Vandal Resistant	IK10
Reset Button	N/A

## Dimensions



## Accessories

TR-JB07-D-IN



TR-JB06-A-IN



TR-UP06-B-IN



TR-UP06-C-IN



TR-A01-IN



Junction Mount	Pole Mount
TR-JB07-D-IN(TR-JB06-A-IN)+ TR-UP06-C-IN	TR-UP06-B-IN

**Zhejiang Uniview Technologies Co., Ltd.**

Building No.10, Wanlun Science Park, Jiangling Road 88, Binjiang District, Hangzhou, Zhejiang, China (310051)

Email: [overseasbusiness@uniview.com](mailto:overseasbusiness@uniview.com); [globalsupport@uniview.com](mailto:globalsupport@uniview.com)

<http://www.uniview.com>

©2020 Zhejiang Uniview Technologies Co., Ltd. All rights reserved.

\*Product specifications and availability are subject to change without notice.